

# CITY OF AUBURNDALE WET WELL VENT

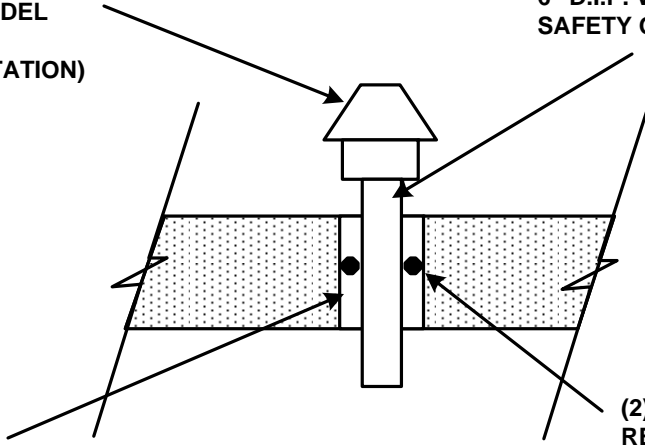
SCALE: NONE

6" VANDAL PROOF HOODED  
VENT CAP "JASAM" MODEL  
J26706  
(SEE PLAN FOR ORIENTATION)

6" D.I.P. VENT PIPE PAINT  
SAFETY ORANGE

NON-SHRINK GROUT

(2) 1 1/2" LONG #4  
REINFORCING BARS WELDED  
TO PIPE FOR ANCHORING



# CITY OF AUBURNDALE RESILIENT BOOT CONNECTION

SCALE: NONE

PSX RESILIENT BOOT OR  
APPROVED EQUAL MEETING  
ASTM C923

← STRUCTURE WALL

1-1/2" S.S. POWER SLEEVE

S.S. TAKE-UP CLAMP

