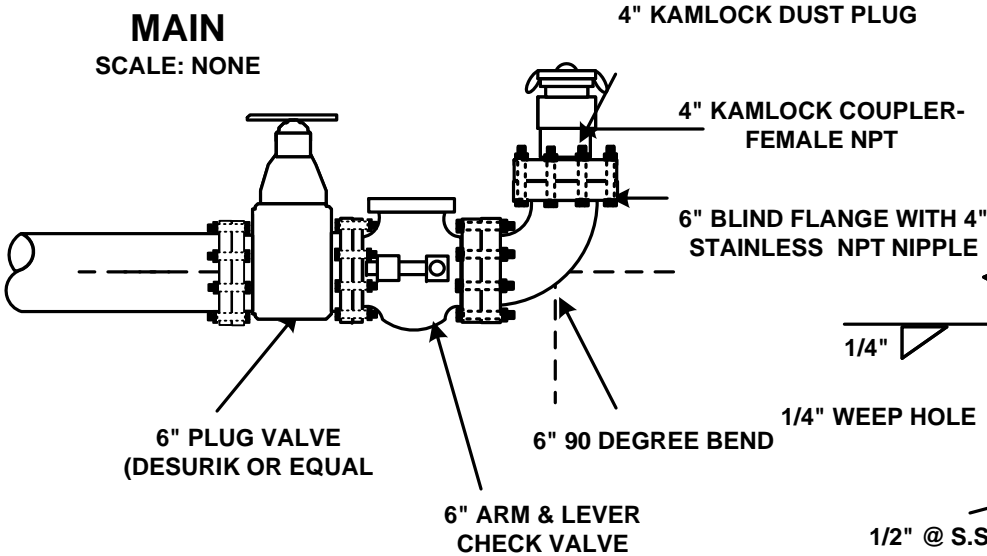


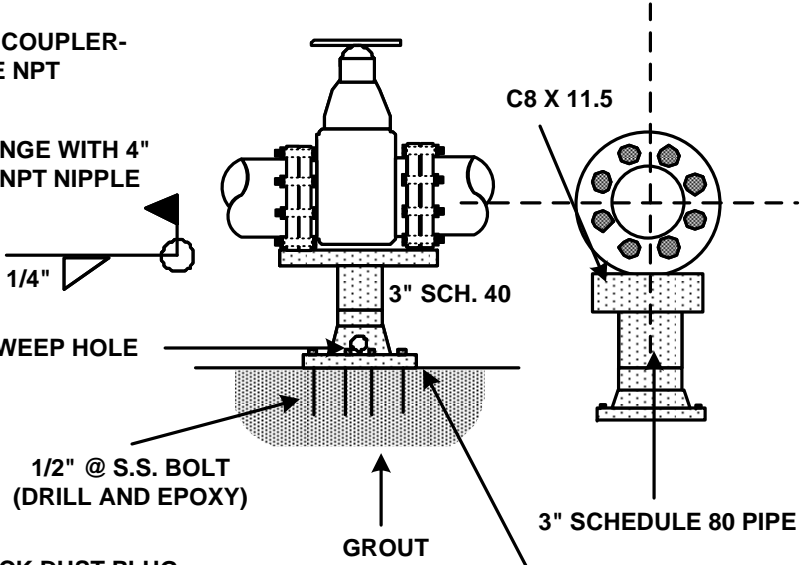
# CITY OF AUBURNDALE EMERG. PUMP-OUT & PIPE SUPPORT DETAILS

## EMERGENCY PUMP- OUT FOR 6" FORCE MAIN

SCALE: NONE



## PIPE SUPPORT DETAIL SCALE: NONE



## EMERGENCY PUMP- OUT FOR 4" FORCE MAIN

SCALE: NONE

